

Date: September 9, 2008

SCROLL BLOWER Limited Quantity, Now Available starting in October 2008
Innovative Spinning Mechanism – Now Taking Orders

We, at SCROLL GIKEN of Yokohama, Japan, have developed the world’s first pressure offset scroll blower, the smallest micro-blower, and a low energy reclamation scroll expander to name a few. We have been offering a wide range of licensing contracts to our clients. Now, we are supplying the scroll blower to meet further requests from Japanese and International customers interested in installing and testing the performance of our scroll product in their applications/devices such as fuel cell systems and medical devices.

We plan to supply 100 limited units of the model (FSM6A) for your evaluation and verification. The sale is scheduled to start shipping next month, October 2008. We encourage you to take advantage of this innovative scroll technology in order to maximize and optimize the performance of your applications and systems. Upon your satisfaction of test results, we will be very happy to supply the cost and performance of conforming units to the OEM. We will, however, continue with licensing agreements.

Model: FSM6A

No. of Units: 100 units

Shipping Schedule: in October 2008

■ **Characteristics of FSM6A**

- ◇ Highly Energy-efficient Structure
- ◇ Small Size and Light Weight allows for Compact Systems
- ◇ Low Noise, Low Vibration, Low Pressure Pulsation
- ◇ Basic Structure allows for any Placement and Orientation
- ◇ Low Cost thanks to Few Components and Small Size
- ◇ High Reliability and Long Life resulting from
Pressure Offset and Dual Axis Support

■ **Principle Applications**

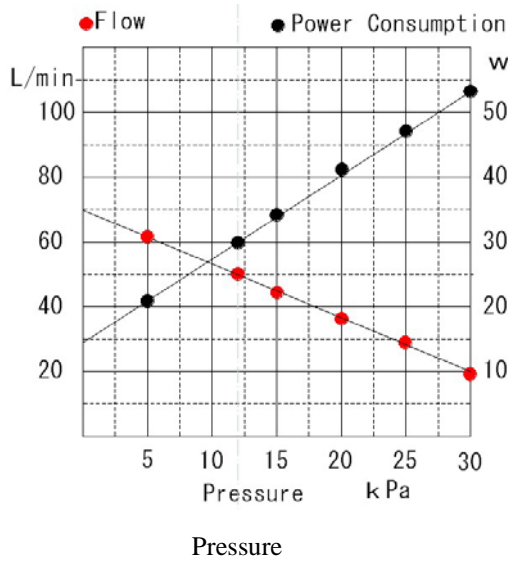
- ◇ Cathode Air Blower used in Fuel Cells
- ◇ Aeration Treatment Blowers
- ◇ Medical Device Blowers
- ◇ Blowers used in Chemical Processing Equipment
- ◇ High Pressure Blowers and Powder-feeding Systems

■ **Specifications (Model: FSM6A)**

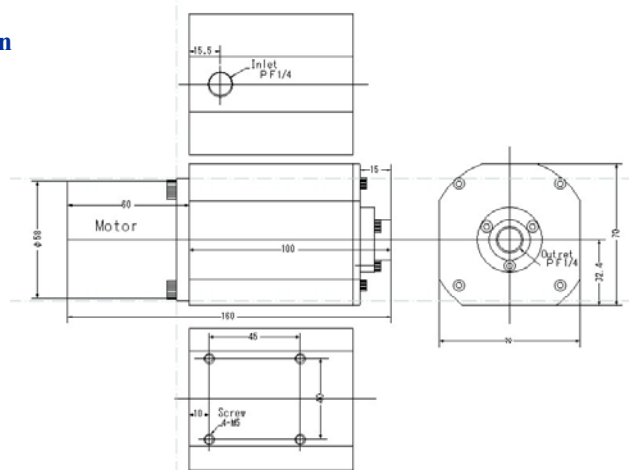
Item	Unit	Capability		
Voltage	V	24		
Motor		DC Brushless + Driver		
Pressure	kPa	Rated	Max	Min
		12	14	2
Flow Rate	L/min	50	60	10
Speed	rpm	2900	3450	500
Power Consumption	W	30	42	3
Weight	kg	1.3		
Volume	L	0.7		

■ Flow Rate vs. Pressure Characteristics

(Model: FSM6A)



■ External Dimension



■ Motor (Optional)

For increased flow rates, higher horsepower motors can be used. Please discuss your application requirements with our staff.

(Additional cost for optional specifications may be required on top of the unit cost.)

■ Price: Please contact for price at tonyo@scrollgiken.com

Contact:

SCROLL GIKEN USA LLC

P.O. Box 501678, San Diego, California 92150-1678 USA

Tel/Fax 1-888-5-scrollgiken(1-888-572-7655)

Web Site: www.scrollgiken.com Email: info.us@scrollgiken.com

Sales : Tony Okai, Sales & Marketing Dir. tonyo@scrollgiken.com Tel 1-858-668-6762

Tech. Support: Sid Niknezhad, Engineering Dir. sidn@scrollgiken.com Tel 1-858-668-6763

SCROLL GIKEN LLC

Kamiya Bldg Suite 401 Turuya-cho 1-2-4 Kanagawa-Ku

Kanagawa Prefecture 221-0835 Japan

Sales : Misato Kawazoe : misatoo@scrollgiken.com

Tech. Support: Shinji Kawazoe : shinjik@scrollgiken.com

